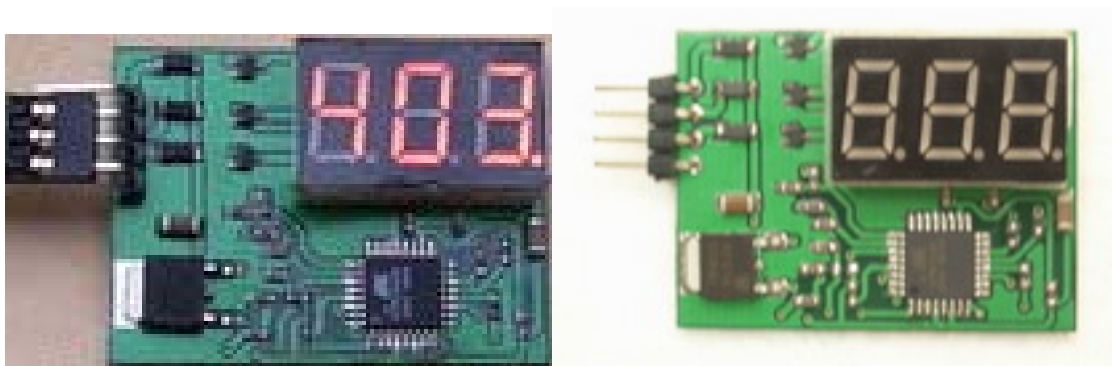


Digital Battery Voltage Displayer

Know your battery cell and protect your R/C model and your home.

JustGoFly.com

http://justgofly.com/Order%20Form.htm#Digital_Volt_Meter

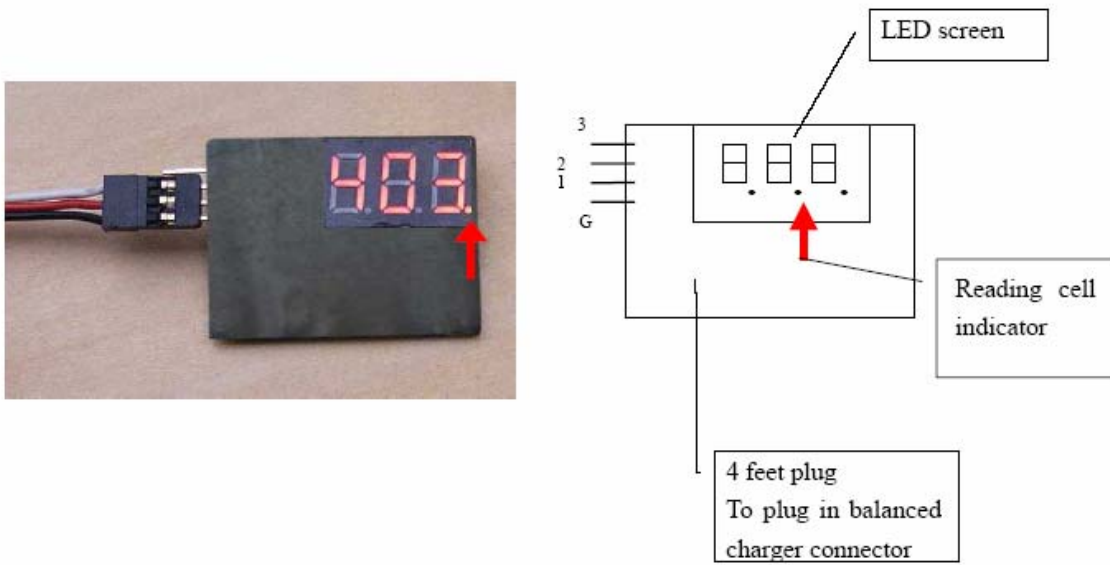


Features:

- LED screen displays your battery's voltage with digital numbers.
- Get real Voltage from LiPo's or servo connectors with NiMh or NiCd batteries.
- Accuracy up to 0.01v.
- Probe 3 cells at one time of your Lipo-battery pack
- Move along the taps connector on 4, 5, 6 ... cells to read all cell values.
- Read your lipo pack without limit (1cell to unlimited cells battery pack) with balanced charge connector
- Test voltage range: 0.2V ~ 13V. Read your NiMH battery up to 10s.
- Measurement : 40mm x 30mm x 8mm; Weight: 10g.
- With this small device:
- You can Identify the performance of each cell in a lipo pack by reading the Voltage draw after a flight, avoid over-discharging in next flight, which could damage battery pack and cause further consequence, protect your plane.
- Test your balanced charger's voltage.
- Make sure your transmitter battery and receiver battery are in good condition.

Content

1. Instructions
2. Example of testing 3 cells Lipo battery pack.
3. Example of testing 2 cells Lipo battery pack.
4. Example of testing 5 cells Lipo battery pack.
5. Testing NiMH



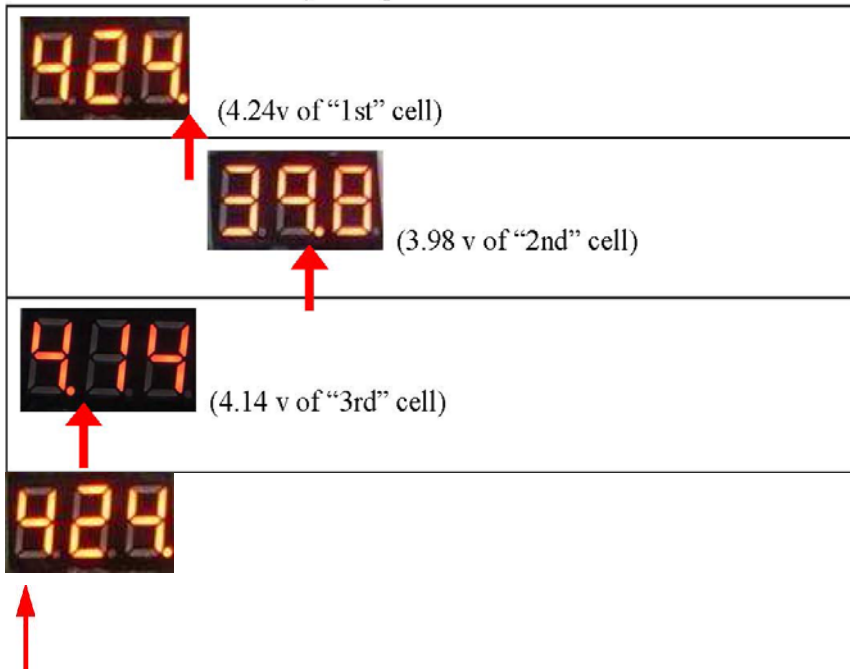
1. Instructions

- a) Find out the “G” Ground cable of the balance head. Normally the Black lead.
- b) The bottom lead on the connector as shown above is ground. Plug the voltage displayer’s plug feet into the balance head. * When the is less than 3cells connected, i.e. test a **2S** pack. Plugging in backwards will cause no harm to the volt meter.



- c) The LED screen should light up:
- d) If the screen do not light up, make sure G cable of the battery connect to the G foot of the displayer.

2. LED flash continuously in sequence:



Note – the period – is NOT a decimal point. It is used to indicate the cell being tested.

Above the first cell is 4.24 volts.

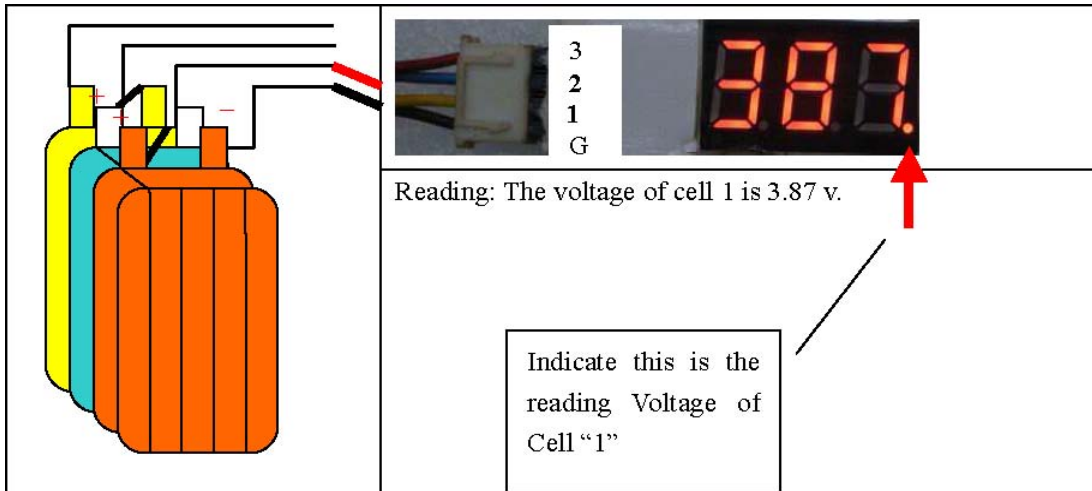


2nd cell is 3.98



Third shows "No cell connected" – so this is a 2 cell pack.

2. Example of testing a 3s Lipo Battery Pack:

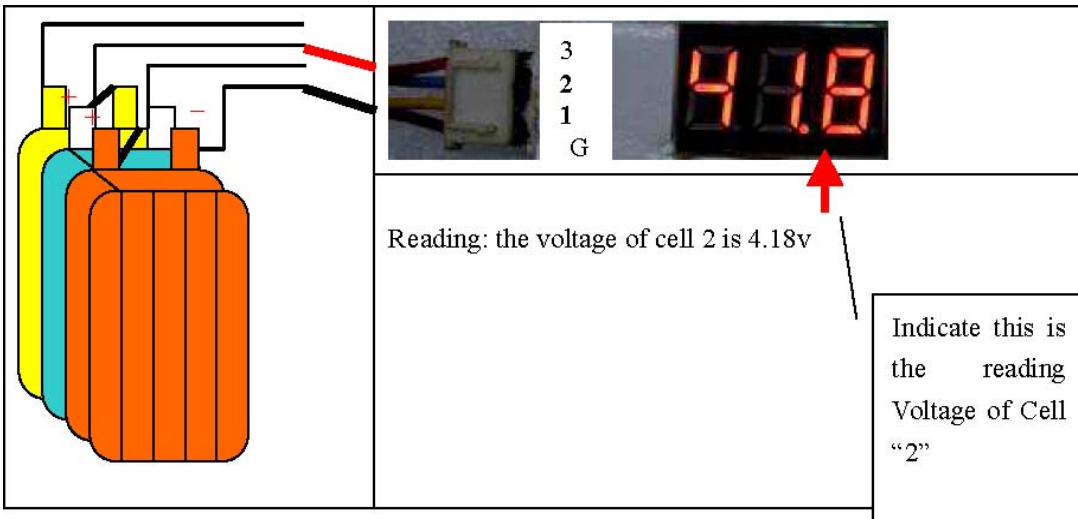


3
2
1
G

3.87

Reading: The voltage of cell 1 is 3.87 v.

Indicate this is the reading Voltage of Cell "1"



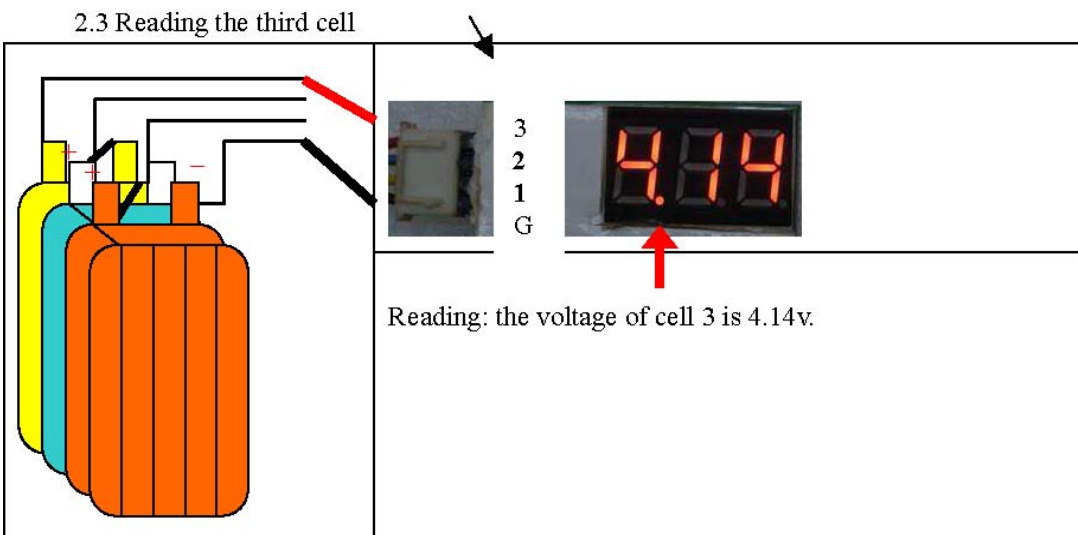
3
2
1
G

4.18

Reading: the voltage of cell 2 is 4.18v

Indicate this is the reading Voltage of Cell "2"

2.3 Reading the third cell

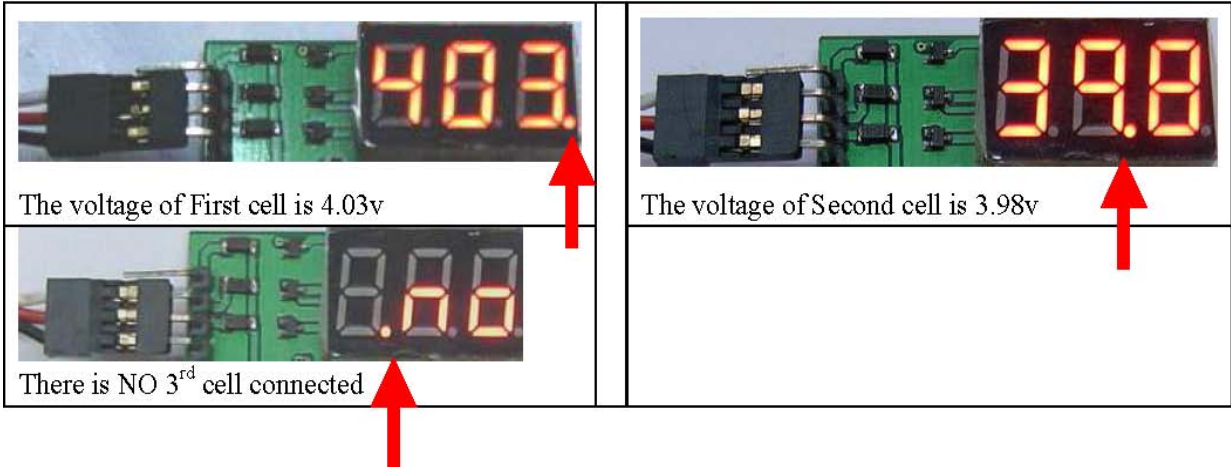


3
2
1
G

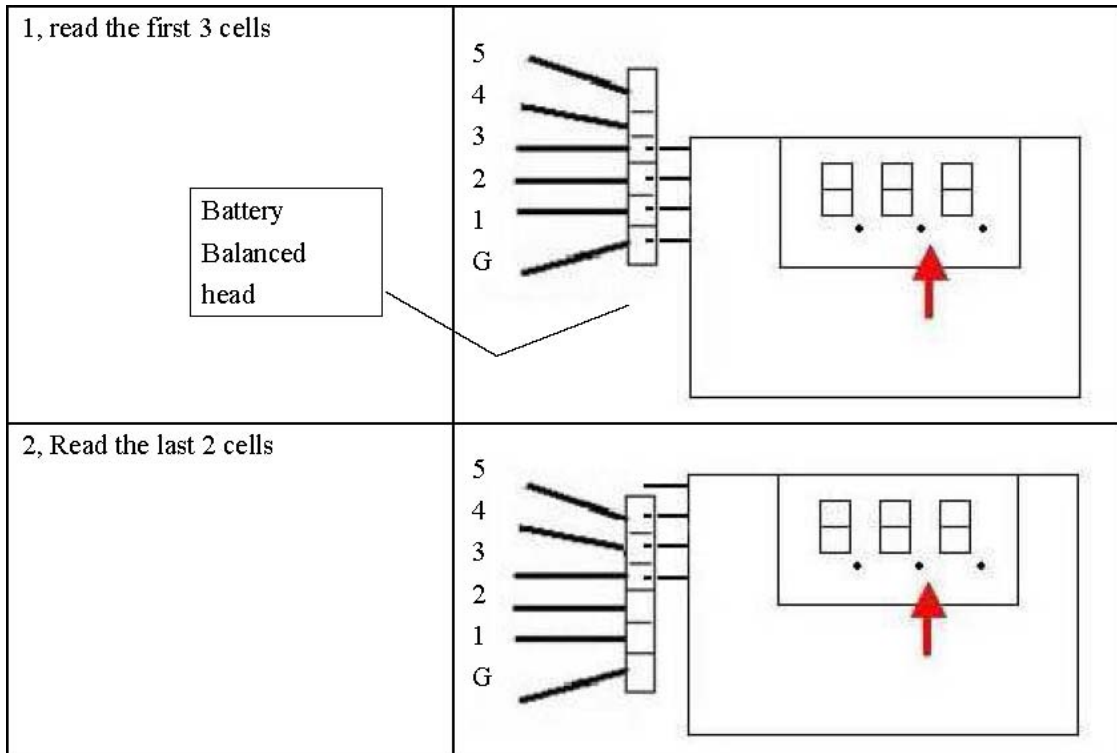
4.14

Reading: the voltage of cell 3 is 4.14v.

3. Reading a 2 cell pack



4. How to read each cell of a 5S Pack



If the voltage shows more than 5V of your Lipo cell, there could be one cell not connected correctly with the Plug foot or you are connected to your ESC. Please check your battery cable or the connection of the balance head with Plug feet.

5. Testing NiMH

When test NiMH battery, please do not go over 10 cells.

Remember to disconnect your battery with the Battery Voltage Displayer after use.